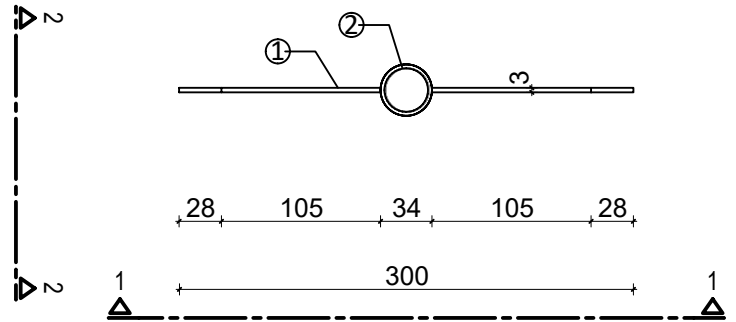
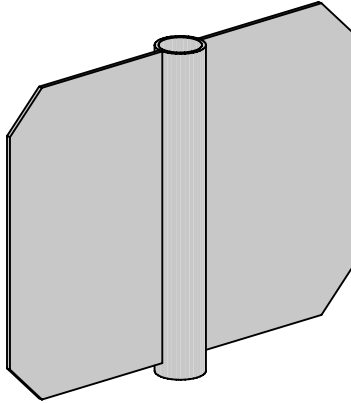
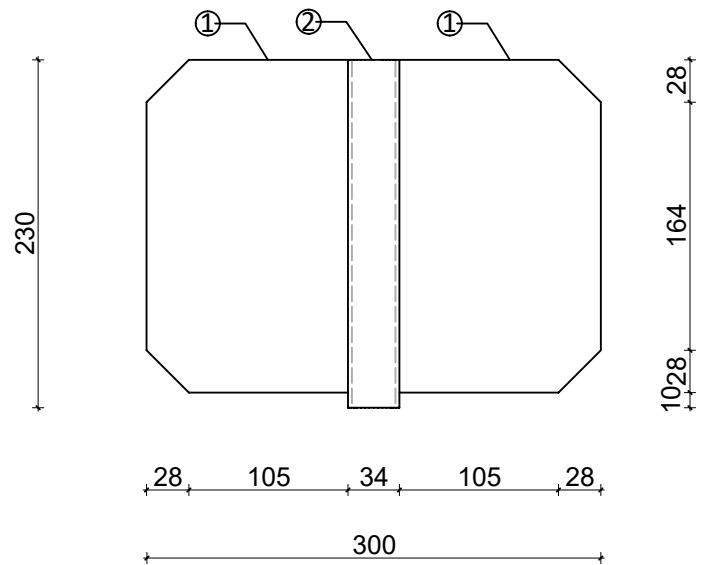


Top soil stiffener TW M16

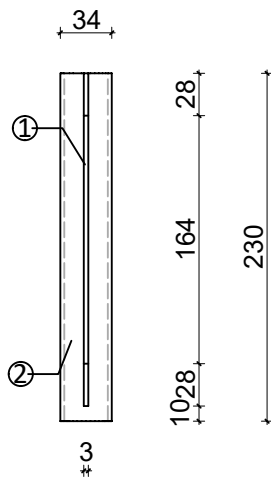
3D view



1 - 1



2 - 2



- ① Pl. 133x220x3
- ② CHS 33,7x2,6

L-bracket made of steel S355

Design company				
GROUNDPLUG®		CONFIDENTIAL		
Part:	prod. draw.	Number of drawing:	PPT 12	Finish HDG acc. to ISO EN 1461
Product/Title:	Top soil stiffener TW M16	Material/Steel grade:	S235	Date: 05.2022
Design:	Signature:	Sub-grade:	-	Scale: 1:5
Check:	Signature:	Tolerances acc.to:	PN-EN ISO 9013: 2008	Format: A4
Draw:	Signature:		PN-EN ISO 13920: 2000	
			EXC2	